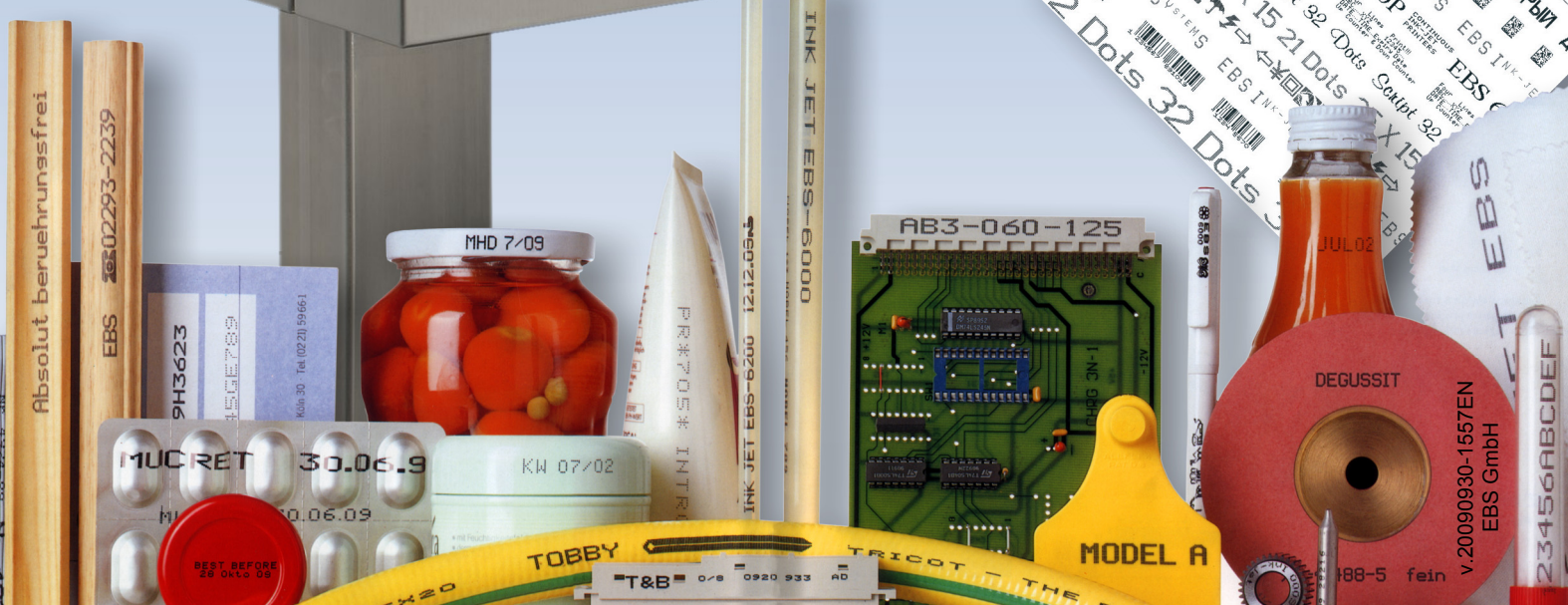
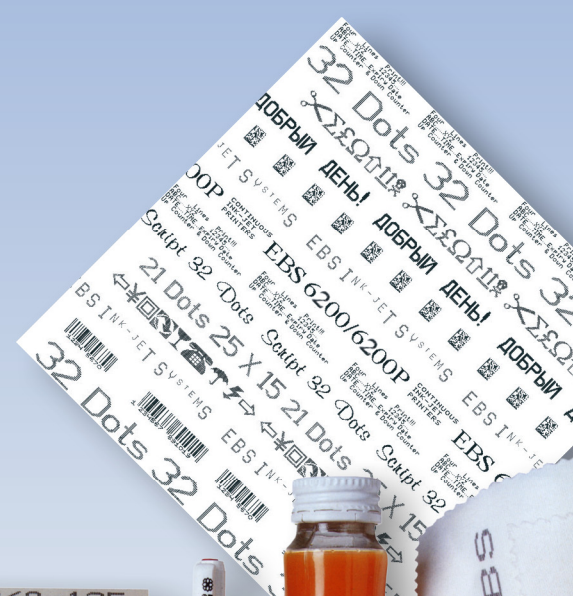


EBS-6200

Industrial, small character
Ink-Jet printer (type CIJ-SCP *)



* CIJ - Continuous Ink-Jet, SCP - Small Character Printer



objects and surface on which the EBS-6200 can make prints: paper, cardboard, plastic wrap, glass, ceramic, metal, wooden, natural material or plastic packaging • cables, p

EBS 6200 - Technical Specifications

Printer performance

The printer is designed for labelling single products and packages. The ink-jet technology applied enables a user to make clear and durable prints in a non-contact way on objects with various shapes and surfaces.

- Print-head of very small dimensions, in two versions: straight and angular 90° - see the drawing below
- Print-head position in space: any
- Length of print-head cable: 4 m as standard, 6 m and other lengths optionally
- Maximum number of dots in the vertical direction: 16 / 25 / 32
- Print height: 1.5 - 14 mm (0.059 - 0.551 inch)
- Print rate according to the character matrix used:

7x5: 1488 cps	⇒	267 m/min (876 ft/min)
16x10: 334 cps	⇒	110 m/min (361 ft/min)
25x14: 55 cps	⇒	25 m/min (82 ft/min)
32x18: 32 cps	⇒	18 m/min (59 ft/min)
- Inks: dye and pigment-based as well as other special
- Print colour: monochrome, in one ink colour out of many available on offer
- Distance between the print-head and an object labelled (best quality prints): up to 30 mm
- The printer is designed for continuous duty over 24 hours/day
- **Very low consumption of solvent.** 1 litre is enough for about 290 hours of printer operation.
- 1 litre of ink is enough to print 100 million characters (7x5)

Communications, connections, indicators

Communications:

- via RS-232 or RS-485 interfaces
- The printer can be remotely controlled with Edgraf, a program running under MS Windows®
- A number of printers can be linked into a network (via the RS-485 interface) and controlled by InkNET, a program for managing a network of EBS printers of various types

External sockets for connecting EBS additional accessories:

- Signalling lamp, conveyor STOP, code switch, counter reset, stroboscope, etc., including outputs for a user's special signals such as a pipe/cable cut signal after a required stretch has been measured

Environment, power supply

Range of working temperatures: 5 - 40°C (40 - 104°F)
 Relative humidity: up to 90% without condensation
 General power supply:

- AC 87-242 V / 45-440 Hz / max. 0.5 – 0.27 A
- Power consumption: about 30 W, on average

Other benefits

- No need to supply compressed air
- The best value for money
- Radically low operating costs
- Expandable, owing to the software upgrade option
- For details visit http://www.ebs-inkjet.de/english/produkty_karta.php?id=166

Editing & printing capabilities

- Character matrices: 5x5, 7x5, 9x5, 11x8, 12x6, 12x7, 14x9, 16x10, 16x14, 21x15, 25x15, 32x18
- Various fonts and ready-to-use special symbols
- Regional characters: in Latin, Cyrillic, Arabic, Japanese, Chinese, Korean and other languages
- Number of text lines: up to 4 lines for 7x5 character matrix do 5 wierszy przy matrycy znaków 5x5
- Permanent texts and various types of variable texts (counters, time and date with the date offset option, coded date and time components, expiry date and texts (data) received via a communications interface)
- Graphics / logograms – to be edited by a user *)
- Barcodes and 2D codes *) - Datalogic, 2/5 Bars, Interleaved, Code 39, EAN-8, EAN-13, Code 128, EAN-128, Code 128B, ITF8, ITF 14 / Data Matrix ECC-200,
- Any combination of font typefaces and sizes, graphics, barcodes *)
- Maximum length of texts: thousands of characters – limited only by the size of memory
- Maximum number of texts: 1024 (2000 optionally)
- Ability to print every text in any direction, on the horizontal plane or up-side down
- Automatic measurement of conveyor travel speed

*) - within 32-dot height limit

Triggering / timing

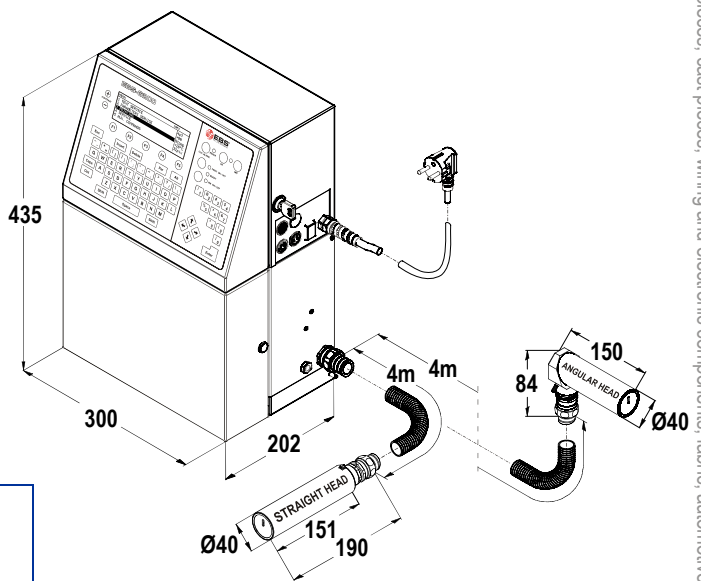
- External detector of objects to be labelled (proximity IR detector – a photocell, as standard)
- External conveyor movement detector (SHAFT-ENCODER) for variable-speed production lines

Cabinet

- Stainless steel INOX 100%
- Position: standing, hanging (a practicable EBS rack is on offer)
- Splash-proof keypad with a large LCD display
- All connectors, cables and a print-head hose are placed on one housing wall
- Protection class (acc. to EN 60529): IP 54

Weight and dimensions

Weight: approx. 12.5 kg (5.67 lbs) with no ink and solvent bottles
Dimensions: width: 300 mm (11,81")
 height: 435 mm (17,13")
 depth: 202 mm (7,95")



Conformity with general electrical equipment requirements



Distribution and service

